



Engineering progress
Enhancing lives

REHAU EDGE™

Product book - AUSTRALIA



REHAU EDGE™

INNOVATIVE TECHNOLOGY



Insert



Compress



Done!

| | Compression Sleeve | Crimp | EDGE™ |
|--|-------------------------------------|-------------------------------------|-------------------------------------|
| No expansion required | <input type="checkbox"/> | <input checked="" type="checkbox"/> | <input checked="" type="checkbox"/> |
| No Gauge required | <input checked="" type="checkbox"/> | <input type="checkbox"/> | <input checked="" type="checkbox"/> |
| No over- or under- crimping | <input checked="" type="checkbox"/> | <input type="checkbox"/> | <input checked="" type="checkbox"/> |
| Rotatable dual jaws for battery tools | <input checked="" type="checkbox"/> | <input type="checkbox"/> | <input checked="" type="checkbox"/> |
| Fitting grips to the pipe before compression | <input type="checkbox"/> | <input type="checkbox"/> | <input checked="" type="checkbox"/> |
| Visual control of pipe insertion depth | <input type="checkbox"/> | <input checked="" type="checkbox"/> | <input checked="" type="checkbox"/> |
| Visual check of completed connection | <input checked="" type="checkbox"/> | <input type="checkbox"/> | <input checked="" type="checkbox"/> |
| Immediate pressure testing | <input checked="" type="checkbox"/> | <input checked="" type="checkbox"/> | <input checked="" type="checkbox"/> |
| Leaks when uncompressed | <input type="checkbox"/> | <input checked="" type="checkbox"/> | <input checked="" type="checkbox"/> |
| 25-year system warranty | <input checked="" type="checkbox"/> | <input checked="" type="checkbox"/> | <input checked="" type="checkbox"/> |

It's your **EDGE™**

The **EDGE** of tomorrow

EDGE™ is a revolutionary new piping system that offers the safety of compression sleeve with the speed of crimp. EDGE™ is designed for security and speed without the need for expansion. EDGE™ is a comprehensive plumbing solution consisting of DZR brass fittings and solvent-resistant polymer sleeves and fittings, highly flexible PN16 PE-Xa pipe ranging from 16mm to 32mm for hot and cold, recycled and rainwater use.



Fitting stays in place after being inserted



No pipe expansion required



Visual control of pipe insertion via inspection windows



Visibly leaks when uncompressed



Security without the steps

Developed in collaboration with installers and designers, EDGE™ is the next evolution in compression sleeve technology. REHAU EDGE™ is the perfect solution for plumbing professionals who value speed, security and a competitive edge for their installations.

REHAU EDGE™

Product Range



REHAU EDGE™ SILVER

| REECE code | Size |
|------------|----------------------------------|
| 1456100 | EDGE SILVER 16X2.0 - 5M STRAIGHT |
| 1456101 | EDGE SILVER 20X2.3 - 5M STRAIGHT |
| 1456102 | EDGE SILVER 25X2.8 - 5M STRAIGHT |
| 1456103 | EDGE SILVER 32X3.6 - 5M STRAIGHT |
| 1456104 | EDGE SILVER 16X2.0 - 100M COIL |
| 1456105 | EDGE SILVER 20X2.3 - 100M COIL |
| 1456106 | EDGE SILVER 25X2.8 - 50M COIL |



REHAU EDGE™ RED

| REECE code | Size |
|------------|-------------------------------|
| 1456108 | EDGE RED 16X2.0 - 5M STRAIGHT |
| 1456109 | EDGE RED 20X2.3 - 5M STRAIGHT |
| 1456110 | EDGE RED 25X2.8 - 5M STRAIGHT |
| 1456111 | EDGE RED 16X2.0 - 100M COIL |
| 1456112 | EDGE RED 20X2.3 - 100M COIL |
| 1456113 | EDGE RED 25X3.2 - 50M COIL |



REHAU EDGE™ LILAC

| REECE code | Size |
|------------|------------------------------|
| 1456114 | EDGE LILAC 16X2.0 - 50M COIL |
| 1456115 | EDGE LILAC 20X2.3 - 50M COIL |
| 1456116 | EDGE LILAC 25X2.8 - 50M COIL |



REHAU EDGE™ GREEN

| REECE code | Size |
|------------|------------------------------|
| 1456118 | EDGE GREEN 16X2.0 - 50M COIL |
| 1456119 | EDGE GREEN 20X2.3 - 50M COIL |
| 1456120 | EDGE GREEN 25X2.8 - 50M COIL |



EDGE™ Compression sleeve

| REECE code | Size |
|------------|----------------------------|
| 1456122 | EDGE COMPRESSION SLEEVE 16 |
| 1456123 | EDGE COMPRESSION SLEEVE 20 |
| 1456124 | EDGE COMPRESSION SLEEVE 25 |
| 1456125 | EDGE COMPRESSION SLEEVE 32 |



EDGE™ STRAIGHT COUPLING

| REECE code | Size |
|------------|---------------------------|
| 1456126 | EDGE STRAIGHT COUPLING 16 |
| 1456128 | EDGE STRAIGHT COUPLING 20 |
| 1456131 | EDGE STRAIGHT COUPLING 25 |
| #1456132 | EDGE STRAIGHT COUPLING 32 |



EDGE™ REDUCING COUPLING

| REECE code | Size |
|------------|------------------------------|
| 1456127 | EDGE REDUCING COUPLING 20-16 |
| 1456129 | EDGE REDUCING COUPLING 25-16 |
| 1456130 | EDGE REDUCING COUPLING 25-20 |
| #1456133 | EDGE REDUCING COUPLING 32-25 |



EDGE™ Tee

| REECE code | Size |
|------------|-------------|
| 1456138 | EDGE TEE 16 |
| 1456139 | EDGE TEE 20 |
| 1456140 | EDGE TEE 25 |
| #1456141 | EDGE TEE 32 |



EDGE TEE™ - REDUCING

| REECE code | Size |
|------------|------------------------------|
| 1456142 | EDGE TEE REDUCING 20-(16)-20 |
| 1456143 | EDGE TEE REDUCING 25-(16)-25 |
| 1456152 | EDGE TEE REDUCING 25-(20)-20 |
| #1456153 | EDGE TEE REDUCING 32-(16)-32 |
| #1456144 | EDGE TEE REDUCING 32-(25)-32 |
| #1456145 | EDGE TEE REDUCING 32-(20)-32 |
| #1456146 | EDGE TEE REDUCING 32-(25)-32 |
| 1456147 | EDGE TEE REDUCING 25-(20)-25 |
| 1456148 | EDGE TEE REDUCING 20-(20)-16 |
| 1456149 | EDGE TEE REDUCING 25-(25)-20 |
| 1456150 | EDGE TEE REDUCING 20-(16)-16 |
| 1456151 | EDGE TEE REDUCING 25-(16)-16 |
| 1456154 | EDGE TEE REDUCING 16-(20)-16 |



EDGE™ Elbow

| REECE code | Size |
|------------|---------------|
| 1456134 | EDGE ELBOW 16 |
| 1456135 | EDGE ELBOW 20 |
| 1456136 | EDGE ELBOW 25 |
| #1456137 | EDGE ELBOW 32 |

Brass body



EDGE™ MALE STRAIGHT CONNECTOR

| REECE code | Size |
|------------|-------------------------------------|
| 1456161 | EDGE MALE STRT CONNECTOR 16 -R 1/2" |
| 1456162 | EDGE MALE STRT CONNECTOR 16 -R 3/4" |
| 1456163 | EDGE MALE STRT CONNECTOR 20 -R 1/2" |
| 1456164 | EDGE MALE STRT CONNECTOR 20 -R 3/4" |
| 1456165 | EDGE MALE STRT CONNECTOR 25 -R 3/4" |
| 1456166 | EDGE MALE STRT CONNECTOR 25 -R 1" |
| 1456167 | EDGE MALE STRT CONNECTOR 32 -R 1" |



EDGE™ FEMALE STRAIGHT CONNECTOR

| REECE code | Size |
|------------|--------------------------------------|
| 1456155 | EDGE FEMALE STRT CONNECTOR 16-RP1/2" |
| 1456156 | EDGE FEMALE STRT CONNECTOR 20-RP1/2" |
| 1456157 | EDGE FEMALE STRT CONNECTOR 20-RP3/4" |
| 1456158 | EDGE FEMALE STRT CONNECTOR 25-RP3/4" |
| 1456159 | EDGE FEMALE STRT CONNECTOR 25-RP1" |
| 1456160 | EDGE FEMALE STRT CONNECTOR 32-RP1" |



EDGE™ MALE THREADED ELBOW

| REECE code | Size |
|------------|------------------------------------|
| 1456168 | EDGE MALE THREADED ELBOW 16 -R1/2" |
| 1456169 | EDGE MALE THREADED ELBOW 20-R1/2" |
| 1456170 | EDGE MALE THREADED ELBOW 20-R3/4" |
| 1456171 | EDGE MALE THREADED ELBOW 25 - R 1" |
| 1456172 | EDGE MALE THREADED ELBOW 32 - R 1" |



EDGE™ FEMALE THREADED ELBOW

| REECE code | Size |
|------------|---------------------------------------|
| 1456173 | EDGE FEMALE THREADED ELBOW 16-RP 1/2" |
| 1456174 | EDGE FEMALE THREADED ELBOW 20-RP 3/4" |



EDGE™ FEMALE THREAD ELBOW W/LUGS

| REECE code | Size |
|------------|--|
| 1456175 | EDGE FEMALE THREAD ELBOW W/LUGS 16-RP 1/2" |
| 1456176 | EDGE FEMALE THREAD ELBOW W/LUGS 20-RP 3/4" |
| 1456177 | EDGE FEMALE THREAD ELBOW W/LUGS 25-RP 1" |
| 1456178 | EDGE FEMALE THREAD ELBOW W/LUGS 32-RP 1" |



EDGE™ MALE THREAD ELBOW W/LUGS

| REECE code | Size |
|------------|--|
| 1456179 | EDGE MALE THREAD ELB W/LUGS 16-G 1/2" 65 |
| 1456180 | EDGE MALE THREAD ELB W/LUGS 16-G 1/2" 90 |
| 1456181 | EDGE MALE THREAD ELB W/LUGS 16-G1/2" 185 |
| 1456182 | EDGE MALE THREAD ELB W/LUGS 20-G 1/2" 95 |
| 1456183 | EDGE MALE THREAD ELB W/LUGS 20-G1/2" 185 |
| 1456184 | EDGE MALE THREAD ELB W/LUGS 20-G 3/4" 95 |
| 1456185 | EDGE MALE THREAD ELB W/LUGS 20-G3/4" 185 |



EDGE™ STRAIGHT TAP CON W/SEAL

| REECE code | Size |
|------------|--|
| 1456188 | EDGE STRAIGHT TAP CON W/SEAL 16-G 1/2" NUT |
| 1456189 | EDGE STRAIGHT TAP CON W/SEAL 20-G 3/4" NUT |



EDGE™ STRAIGHT TAP CON W/GASKET

| REECE code | Size |
|------------|--|
| 1456190 | EDGE STRAIGHT TAP CON W/GASKET 16-G 1/2" NUT |
| 1456191 | EDGE STRAIGHT TAP CON W/GASKET 20-G 3/4" NUT |
| 1456192 | EDGE STRAIGHT TAP CON W/GASKET 25-G 1" NUT |



EDGE™ BENT TAP CON W/SEAL

| REECE code | Size |
|------------|--|
| 1456193 | EDGE BENT TAP CON W/SEAL 16-G 1/2" NUT |
| 1456194 | EDGE BENT TAP CON W/SEAL 20-G 3/4" NUT |



EDGE™ STOPPER

| REECE code | Size |
|------------|-----------------|
| 1456186 | EDGE STOPPER 16 |
| 1456187 | EDGE STOPPER 20 |

REHAU EDGE™

Product Range



EDGE™ BATH/LAUNDRY/SINK BREECH R

| REECE code | Size |
|------------|--|
| 1456195 | EDGE BATH/LDRY/SINK BREECH R ANGLE 8" |
| 1456196 | EDGE BATH/LDRY/SINK BREECH R ANGLE 12" |



RAUTOOL L1

| REECE code | Size |
|------------|---|
| 1451245 | RAUTOOL EDGE L1 KIT 16-20 FWITH CARRY CASE (25,32 JAWS ARE SOLD SEPERATELY) |
| 1451246 | RAUTOOL EDGE L1 JAW SET 16 MM |
| 1451247 | RAUTOOL EDGE L1 JAW SET 20 MM |
| 1451248 | RAUTOOL EDGE L1 JAW SET 25 MM |
| 1451249 | RAUTOOL EDGE L1 JAW SET 32 MM |
| 1440430 | RAUTOOL L1 SPARE KITS #1 |
| 1440431 | RAUTOOL L1 SPARE KITS #2 |
| 1440432 | RAUTOOL L1 SPARE KITS #3 |
| 1440433 | RAUTOOL L1 SPARE KITS #4-JAW PIN SET |



EDGE™ SHOWER BREECH RIGHT ANGLE

| REECE code | Size |
|------------|-----------------------------------|
| 1456197 | EDGE SHOWER BREECH RIGHT ANGLE 6" |
| 1456198 | EDGE SHOWER BREECH RIGHT ANGLE 8" |



EDGE™ TRANSITION TO COPPER

| REECE code | Size |
|------------|--|
| 1456199 | EDGE TRANSITION TO COPPER 16-DN15(AUS) |
| 1456200 | EDGE TRANSITION TO COPPER 20-DN20(AUS) |
| 1456201 | EDGE TRANSITION TO COPPER 25-DN25(AUS) |
| 1456202 | EDGE TRANSITION TO COPPER 32-DN25(AUS) |

* For connection into copper press fittings only.

* Not for brazing



RAUTOOL A-LIGHT2 EDGE™ jaws

| REECE code | Size |
|------------|------------------------------------|
| 1451314 | EDGE ALIGHT2 DUAL JAW SET 16/20 MM |
| 1451306 | EDGE ALIGHT2 DUAL JAW SET 25/32 MM |

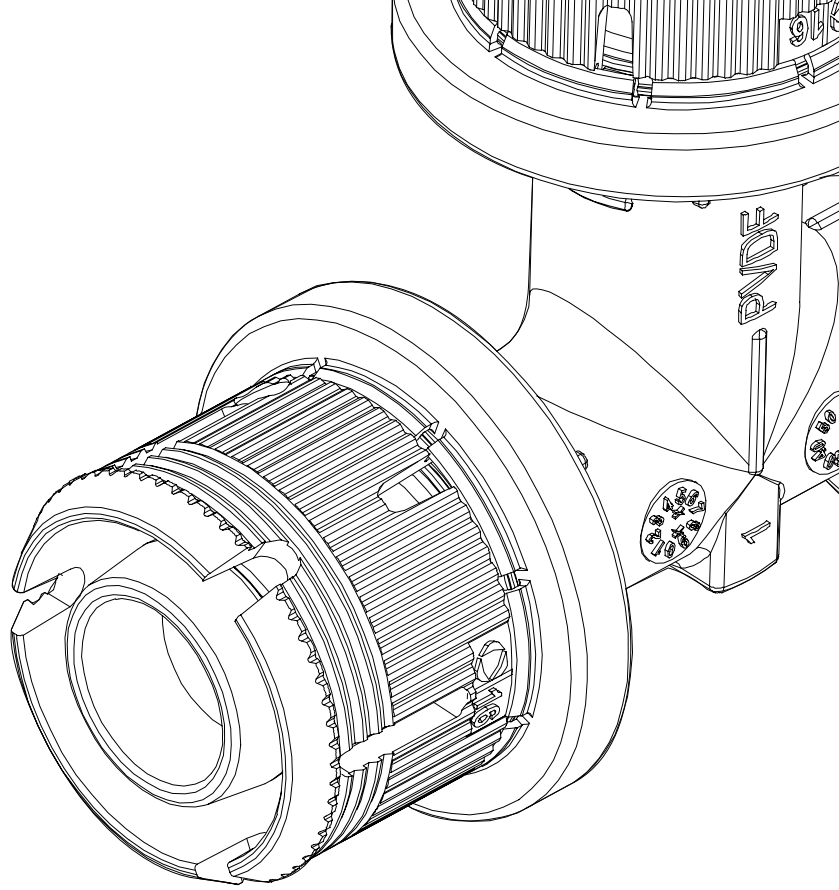
* Also compatible with Rothenberger ROMAX AXIAL tool

* Also compatible with RAUTOOL Alight, A2, A3, E2, E3, A3

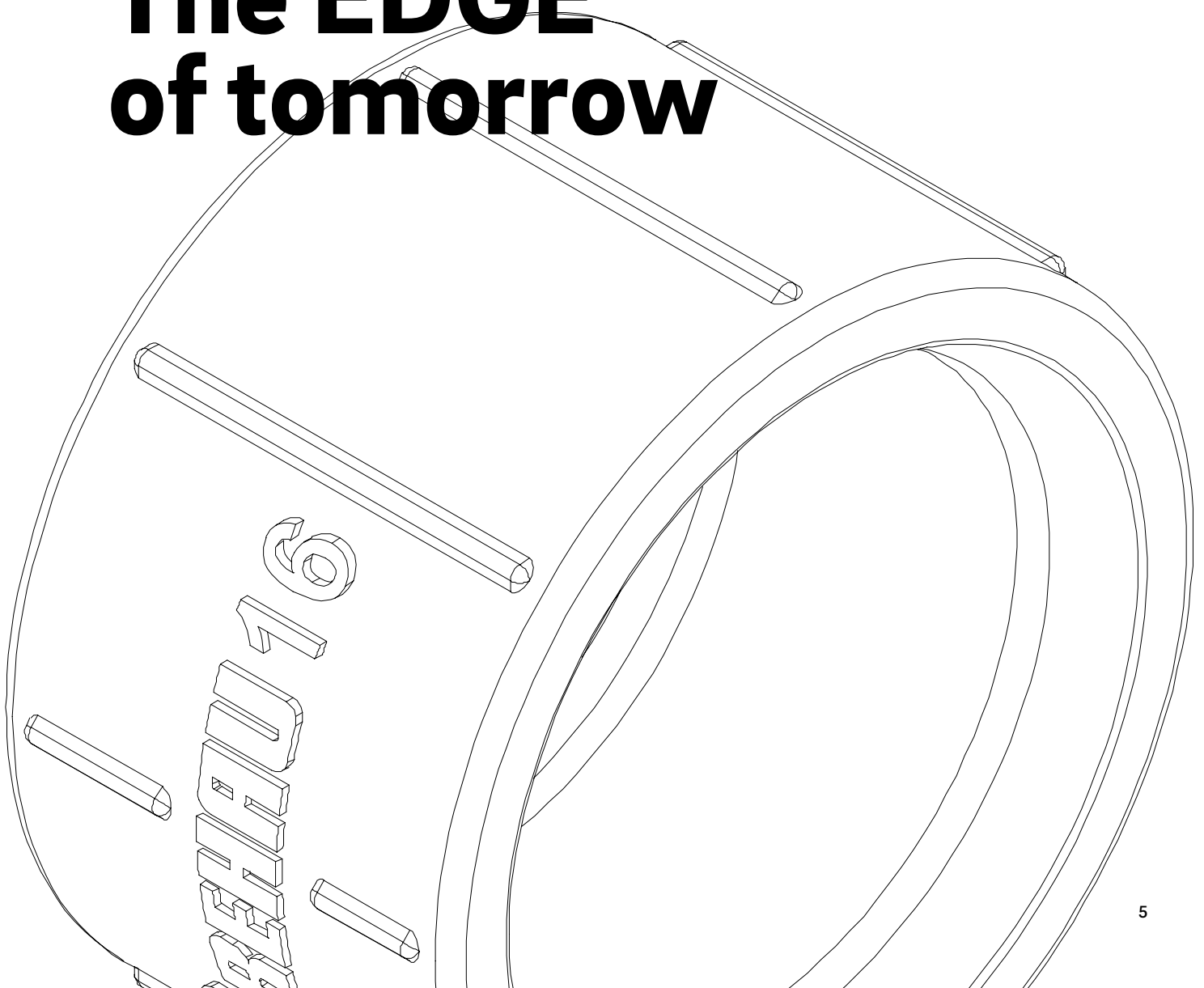
RAUTOOL Cutters

| REECE code | Size |
|------------|--|
| 1450350 | Stabil Cutter 16-20 |
| 1450273 | Cutter 16-25 |
| 1450284 | Cutter 16 - 40 |
| 1451011 | Spare blade for Stabil cutter 6-20 (1450350) |
| 1451012 | Spare blade for cutter 16-40 (1450284) |





The EDGE of tomorrow



REHAU Pty Ltd – National Customer Service Centre

Suite 1.02, Level 1, Quad 1, 8 Parkview Drive,
Sydney Olympic Park, NSW 2127
AUSTRALIA

Tel: 1300 768 033

Fax: 1300 760 665

Email: sales.au@rehau.com

www.rehau.com.au



The information contained herein is believed to be reliable, but no representations, guarantees or warranties of any kind are made as to its accuracy, suitability for particular applications or the results to be obtained therefrom. Before using, the user will determine suitability of the information for user's intended use and shall assume all risk and liability in connection therewith.



<http://qr.rehau.com/d3c5181a9a>

January 2023
Subject to technical modifications
© REHAU
ANZ001BT 01.2023